

Datasheet for
RT-O-LTE-GN-2AA
Combined outdoor GNSS and LTE antenna.



This combined cellular and GNSS antenna supports the frequencies of LTE/UMTS/GSM and GPS/GLONASS/GALILEO.

This antenna comes with SMA(male) for cellular and SMA(male) for GNSS and is designed for outdoor installation with its IP67 ingress protection.

Electrical Characteristics

Dielectric (GNSS) Antenna

Item	Specifications	Post Environmental Tolerance
Center Frequency (CF)	L1: 1575.42 MHz L2: 1602.00 MHz	± 1 MHz ± 1 MHz
Band Width	CF ± 5 MHz	-
V.S.W.R	< 1.5	-
Gain (Zenith)	2 dBic (max)	-
Polarization	RHCP	-
Impedance	50 Ω	-

Cellular Antenna

Item	Specifications	Post Environmental Tolerance
Frequency range	698 MHz ~ 960 MHz / 1710 MHz ~ 2690 MHz	-
V.S.W.R (5m)	< 2.0	-
Gain (Zenith)	2 dBi	-
Impedance	50 Ω	-
Polarization	Linear	-

LNA/Filter

Item	Specifications	Post Environmental Tolerance
Gain	28 ± 2 dB	± 2 dB
Noise Figure	< 1.5 dB	-
V.S.W.R	< 2.0	-
DC Voltage	2.2 ~ 5 V	
DC Current	5 ~ 15 mA	

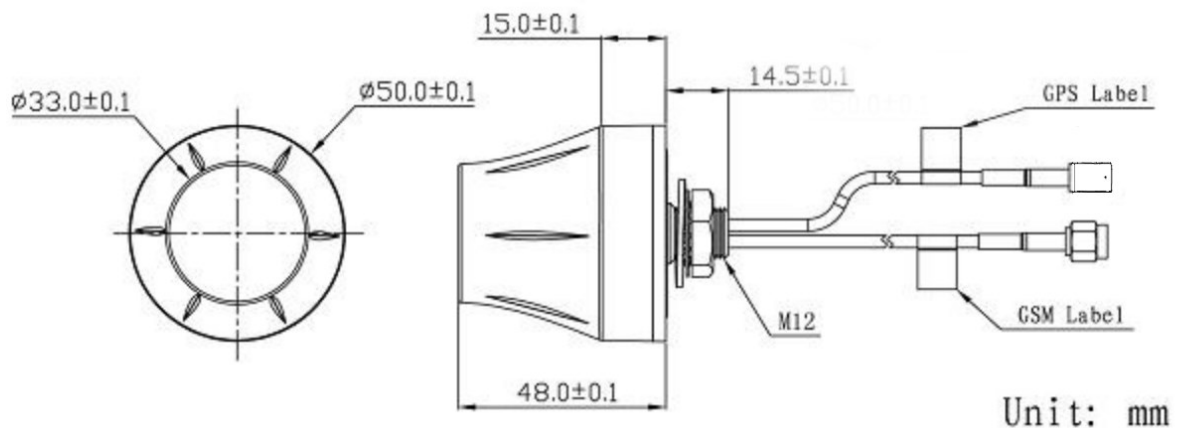
Mechanical Specifications

Item	Specifications
Cable	RG174, 5 meters
Material	ABS
Connector	SMA male for GNSS / SMA male for GSM
Plastic Housing	Black.
Mounting	M12 screw hole

Environmental Specifications

Item	Specifications
Ingress Protection	IP67 (exclude cable outlet)
Relative Humidity Range	Up to 95 % RH
Operating Temperature Range	-40 °C ~ +85 °C
Vibration	10 to 55 Hz with 1.5 mm amplitude 2 hours
Environmentally Friendly	ROHS Compliant

Dimensions (Unit : mm)

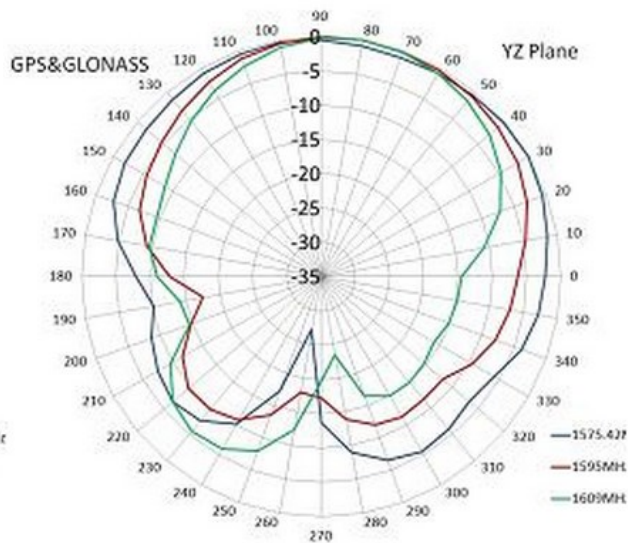
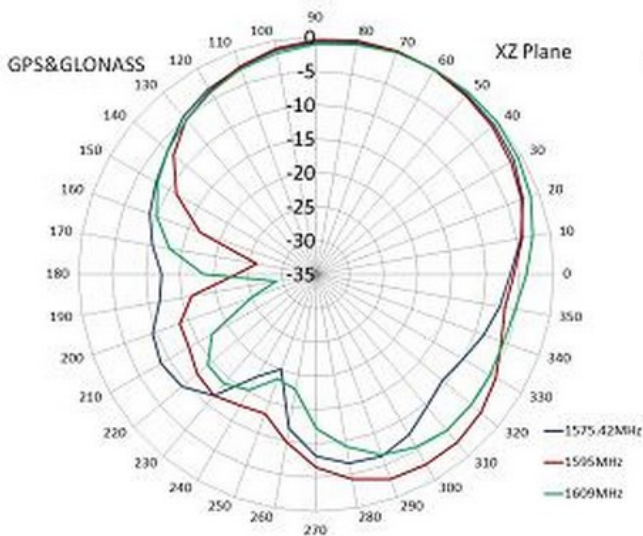
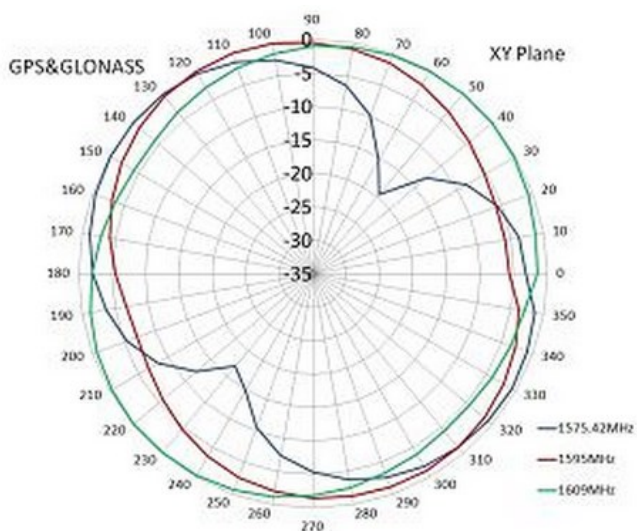


Installation:

The plastic top must face the sky with the cable entry protected for water/moisture. One-screw mounting with an M12 screw hole. Designed for outdoor use.

Radiation Pattern:

GNSS Antenna



Cellular Antenna

