

Datasheet for
RT-O-LTE-WIN1
Compact LTE window antenna.



This compact combined cellular antenna supports all frequencies of LTE/UMTS/GSM. Comes with 3 meter cable and strong 3M adhesive for flexible mounting.

Electrical Characteristics

UMTS/GSM Antenna

Item	Specifications	Post Environmental Tolerance
Center Frequency	698 MHz ~ 960 MHz 1710 MHz ~ 2690 MHz	± 3 MHz
V.S.W.R (in BW)	<2 : 1	-
Gain (Zenith)	2 dB	± 0.5 dB
Polarization	Linear	-
Impedance	50 Ω	-

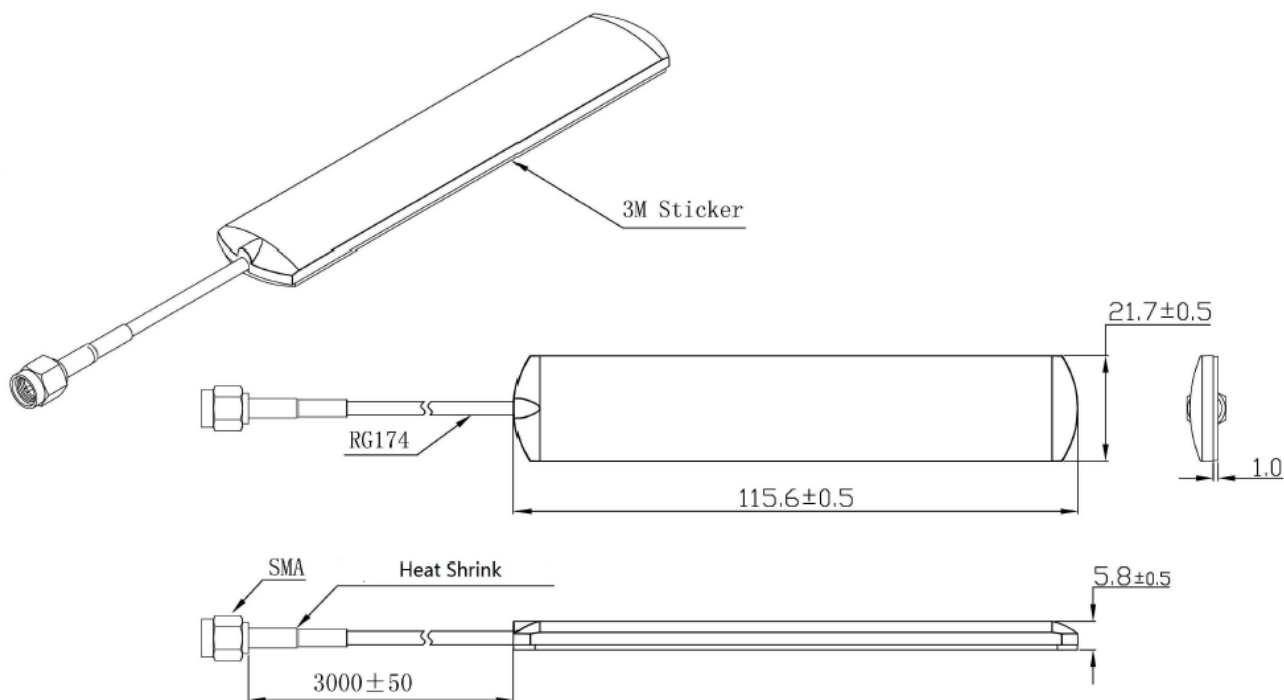
Mechanical Specifications

Item	Specifications
Cable	RG174, 3 meters
Connector	SMA male
Plastic Housing	Black
Mounting	Adhesive

Environmental Specifications

Item	Specifications
Relative Humidity Range	Up to 95 %
Operating Temperature Range	-40 °C ~ +85 °C
Vibration	10 to 55Hz with 1.5mm amplitude 2 hours

Dimensions



Unit: mm

Radiation Pattern

