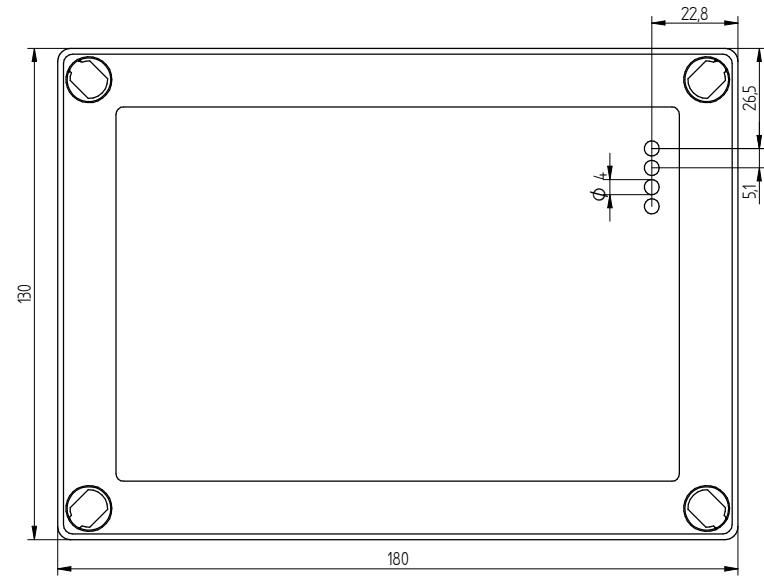


REVISION HISTORY			
REV	DESCRIPTION	DATE	APPROVED



DRAWN	FO	DATE	09/01/17	Logic IO TITLE RTCU NX-900 - Mechanical Dimensions	
CHECKED					
ENG APPR					
MGR APPR					
UNLESS OTHERWISE SPECIFIED DIMENSIONS ARE IN MILLIMETERS ANGLES ±0.1°				SIZE	A2
				DWG NO	1
				REV	1
				FILE NAME	RTCU NX-900 -Product Geometry.dft
				SCALE	WEIGHT
				SHEET 1 OF 1	