

Datasheet for
RT-O-LTE-TINY1
Ultra-compact LTE “screw-on” antenna.



This compact cellular antenna supports the EMEA frequencies for LTE/UMTS/GSM. It is designed for easy “screw-on” directly onto the RTCU device.

Electrical Characteristics

LTE/UMTS/GSM Antenna

Item	Specifications	Post Environmental Tolerance
Center Frequency	824 MHz~960 MHz / 1710 MHz~2170 MHz	± 3 MHz
V.S.W.R (in BW)	<2.5 : 1	-
Gain (Zenith)	2 dB	± 0.5 dB
Polarization	Linear	-
Impedance	50 Ω	-

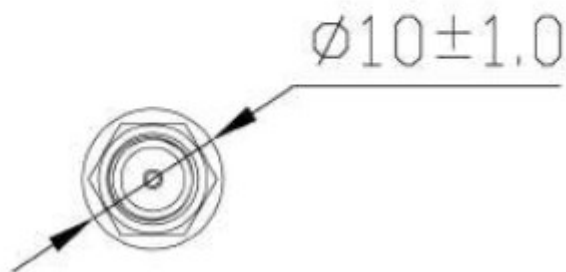
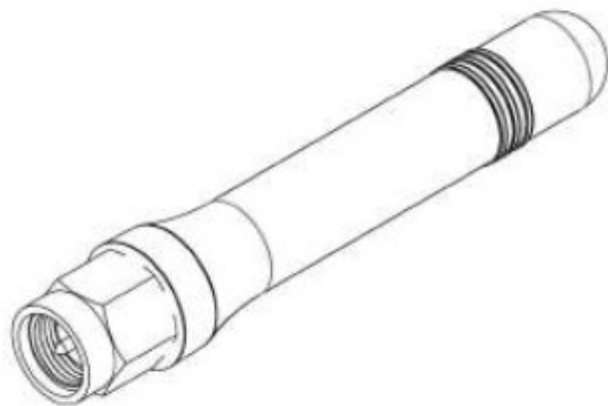
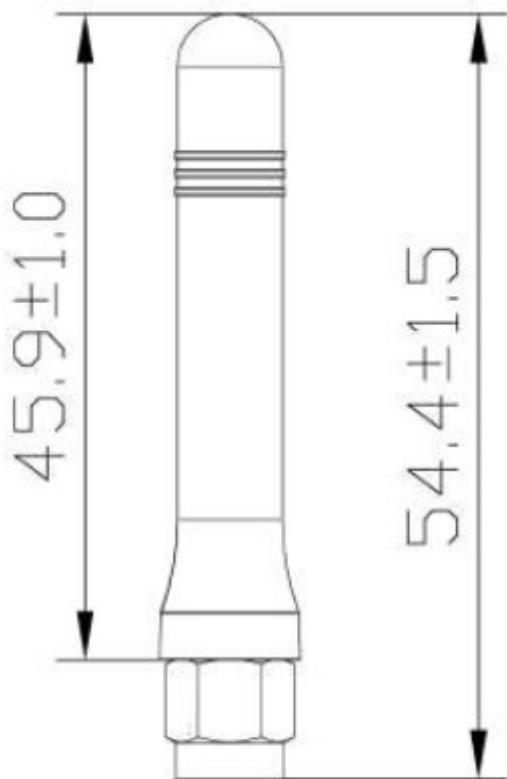
Mechanical Specifications

Item	Specifications
Connector	SMA male for direct screw-mounting.
Plastic Housing	Black
Height	54.4±1.5mm.
Min/Max diameter	9 mm / 11 mm

Environmental Specifications

Item	Specifications
Relative Humidity Range	Up to 95 %
Operating Temperature Range	-40 °C ~ +85 °C
Vibration	10 to 55Hz with 1.5mm amplitude 2 hours

Dimensions (in mm)



Radiation Pattern

